

A blue-tinted photograph of a construction site. In the foreground, a large tower crane is visible against a clear sky. Below the crane, three construction workers wearing hard hats and safety vests are standing on a concrete slab, looking at a set of blueprints. In the background, the skeletal structure of a building under construction is visible, with several vertical rebar columns. The overall scene is set during what appears to be dawn or dusk, with a soft light on the horizon.

ASME Spotlight

Community Impact



STUDENT
SECTION

Engineers Week 2023



STUDENT
SECTION

Engineers Week (Eweek)

February 19 – 25, 2023 | *Creating the Future*



Founded by NSPE in 1951



Discover Engineering Coalition |
70+ societies & 50+ corporations



Share an example of how engineering
has made the world a better place
#Eweek2023 | @asmedotorg



Library of STEM activities available



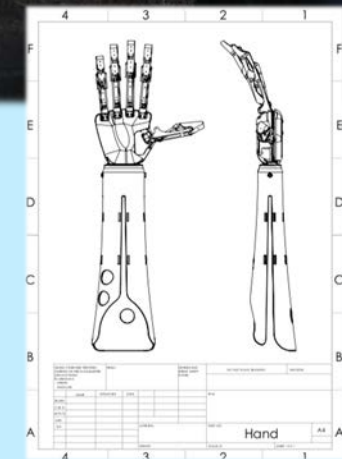
Community Impact



STUDENT
SECTION

Engineering for Change (E4C)

- Co-founded by ASME, IEEE, & Engineers without Borders (USA)
- Mission: To prepare, educate and activate the international technical workforce to improve the quality of life of people and the planet.
- The E4C Fellowship is a workforce development program at the intersection of engineering and global development, serving to activate and empower early-career engineers worldwide to solve local and global challenges.



E4C opportunities

- Fellowships
- Impact projects
- Webinars & courses
- Global development opportunity board
- Solutions library
- Free membership

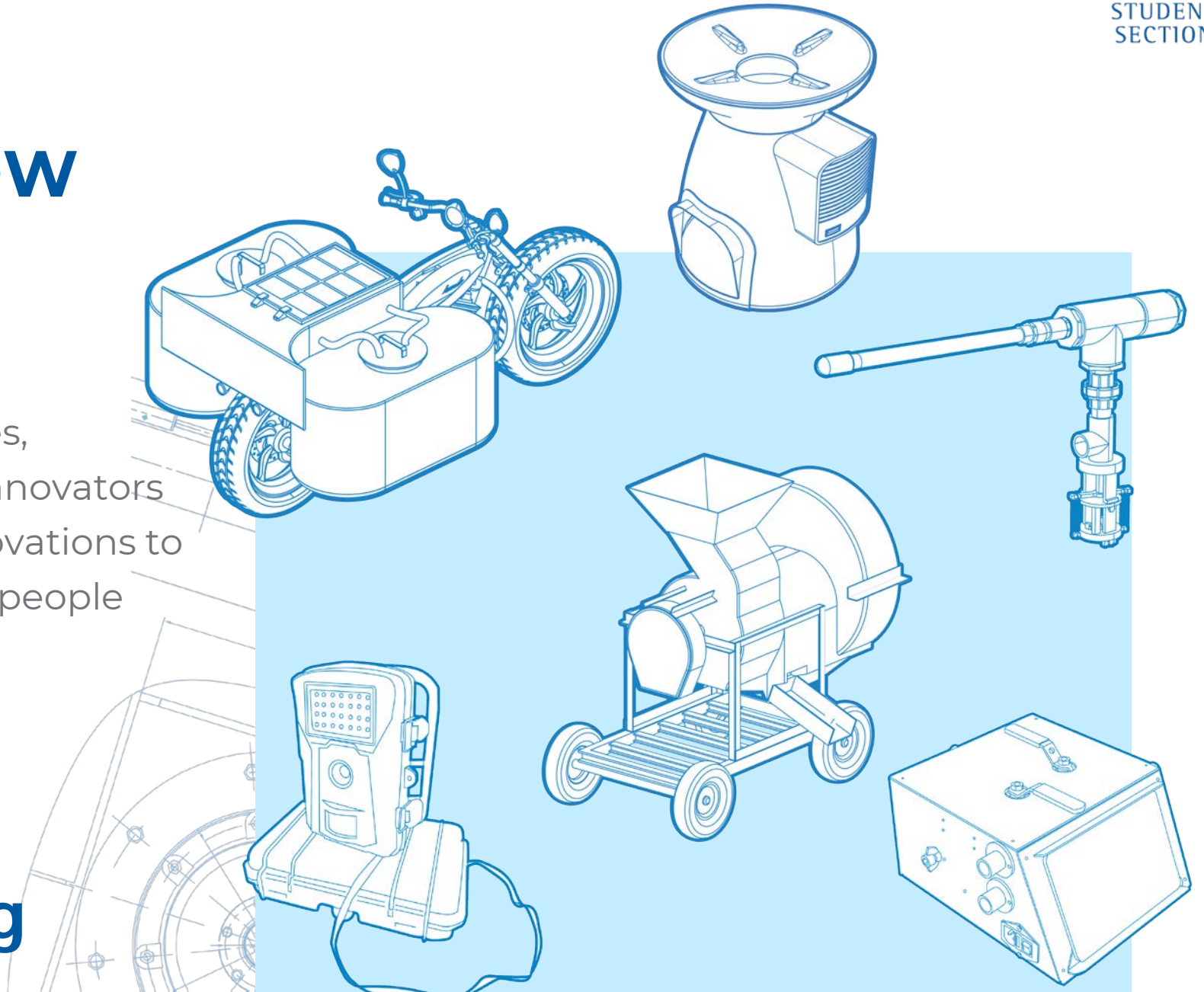
engineeringforchange.org



IDEA LAB & ISHOW

- Idea > Prototype = IDEA LAB
- Product > Launch = ISHOW
- ASME offers support, resources, guidance, & training to help innovators scale hardware-led social innovations to market and into the hands of people who need them

Thisishardware.org



ASME INSPIRE

K-12 STEM Education Programs

- ASME **DropMEin!** events bring ASME member volunteers and more into K-12 classrooms to share their experiences. This academic year, over 2,000 students will be engaged through this program.
- ASME contributes to engineering education content in the U.S., which has reached over 550,000 students at 3,700+ U.S. schools since 2015 through the Discovery Education Experience platform.



[ASMEFoundation.org](https://www.asme.org/foundation)

ASME **DropMEin!** Contact:

Patti Jo Rosenthal | RosenthalP@asme.org

ASME Student Opportunities February & March 2023



STUDENT
SECTION

ASME Scholarships

- Scholarships range from **\$1,000 - \$13,000** USD
- ASME membership required
- One application for all* scholarships
 - *Some scholarships have specific eligibility requirements



asme.org/scholarships

Undergraduate student deadlines:

- **Feb. 16, 2023** – Application deadline
- **Feb. 23, 2023** – Recommendations

Graduate student deadlines:

- **March 2, 2023** – Application deadline
- **March 9, 2023** – Recommendations

By July 31 – applicants notified of results

By Sept. 1 – awarded funds issued to college/university

ASME Membership

Join or Renew

- Join online annually >> asme.org/membership
- Promo code **SECTION** for **25% off & to enter competition**
- Student dues with promo code: \$18.75 (\$25 without)
- First year students (freshmen) receive 1st year **FREE**



ASME Student Community Discord



**Join the new community to connect with
ASME Student Members globally**

#stem-outreach

#resources

#women-in-engineering

#graduating-seniors

#volunteer-opps

#pet-pics

#intern-opp-board

E-Fest

- Career & professional development content
- Digital competitions
 - Extended Reality: Autonomous Vehicles
 - Extended Reality: Lunar Lander
 - Technical Digital Poster
 - Sustainability Innovations



<https://efests.asme.org/>

ASME E-Fests®
Brought to you by ASME Engineering Festivals®

E-FEST DIGITAL

March 25, 2023
Virtual Event

Register for Free

Thank you!



**STUDENT
SECTION**